

Refocussing & Collimating Fiber/Lens Objectives



Features

- Compatible with SMA-terminated fiber cables
- NA=0.35, Pupil diameter 14 mm
- Refocusing or collimating design

Applications

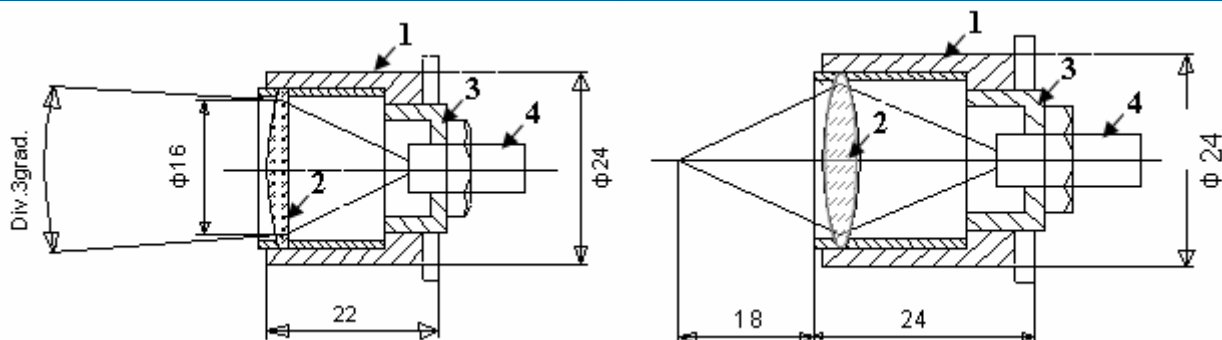
- Focusing of collimated beam into fiber
- Collimation of output beam from fiber
- Fiber end imagination to detector / emitter element

Technical parameters

- Z-translation stage adjustable in ± 5 mm range
- Lens parameters
- ZnSe or Ge - on request
- $\text{Ø}15$ mm; $f = 20$ mm or 10 mm - on request
- AR - coating for $3\text{-}5.5\mu\text{m}$ or $8\text{-}12\mu\text{m}$ - on request



Drawings



- 1-Case
- 2- Lens
- 3- Z-translation stage
- 4- SMA-Adaptor

High Tech Photonics
 23 Alafaya Woods Blvd
 Oviedo, FL 32765

jim@jtingram.com
 800 335 5582
 561 573 6533
 FAX 888 335 5587