

# Refocusing coupler for Dewar MCT-detector

## Features

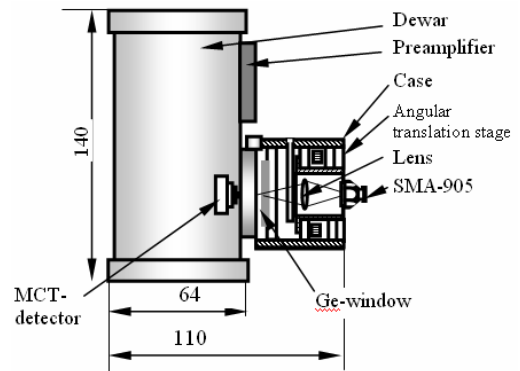
- Designated for detachable IR-fiber optical cables with SMA-termination
- Adjustable in 3d dimensions - X-Y for lens & Z - for connector position
- Can be fixed at side window Dewar for QCL / TDL lasers & MCT/ InAs detectors



Standard or customized coupler construction can be supplied for customer laser or detector installed inside LN-cooled Dewar with side window. CIR- or PIR-fiber optical cable with SMA-termination can be supplied according customer specification for his specific applications. 2 types of MCT-detectors are also available for a set with IR-cable and optical fiber coupler - either with LN-cooling in Kedal Dewar for 4-14 $\mu$ m or with triple Peltier cooling - for 1-6 $\mu$ m spectral range.

## Coupler Construction for LN-cooled detectors or Tunable Diode Lasers

Specification Coupler:	Ø55 mm, length = 40 mm
	Angular translation in the range $\pm 2.50^\circ$ in both orthogonal axes
Lens:	Z-translation stage in the range $\pm 5$ mm
	Material - Ge or ZnSe, Ø15 mm, f = 10 mm, AR-coating for 10.6 $\mu$ m (other wavelength - on request)



## Coupler Construction for TE-cooled detectors or Quantum Cascade Lasers

