



LPPIR Series OEM Laser Power Cables and accessories

**CO₂ Laser Power Delivery
Fast On Time Delivery
OEM Performance**

***Laser Power Delivery from 4-18um
Materials Processing
Up to 50 watts CW @ 10.6um***

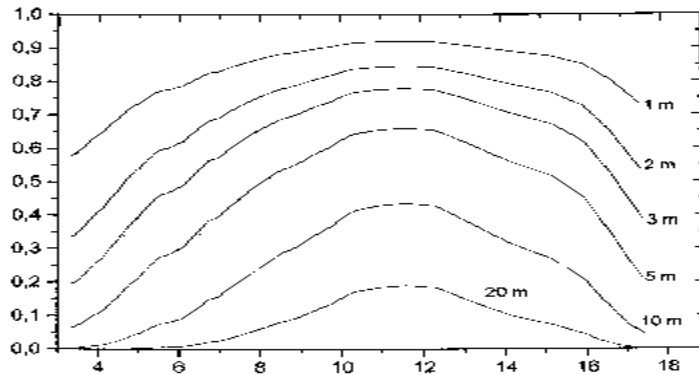
**HighTech Photonics Inc
800 335 5582 jim@ht-photonics.com**

LPPIR Series

OEM Laser Power Cables

For use with sources from 4-18um

Part Number	Core/Cladd Dia (um)	MAX Power (approx)
HPPIR450/500	450/500	12kw/cm ²
HPPIR630/700	630/700	12kw/cm ²
HPPIR900/1000	900/1000	12kw/cm ²



Percent transmission/wavelength (um) for various lengths of cable

Effective NA - 0.25 Min Bend Radius (elastic) - 100X fiber Dia

Sheathing Options

Stainless Steel/Silicone, Brass/Nickel, Brass/Chrome, PEEK

Connector Options

Free end TiSMA, No Epoxy Free End TiSMA,
ART Special Connectors

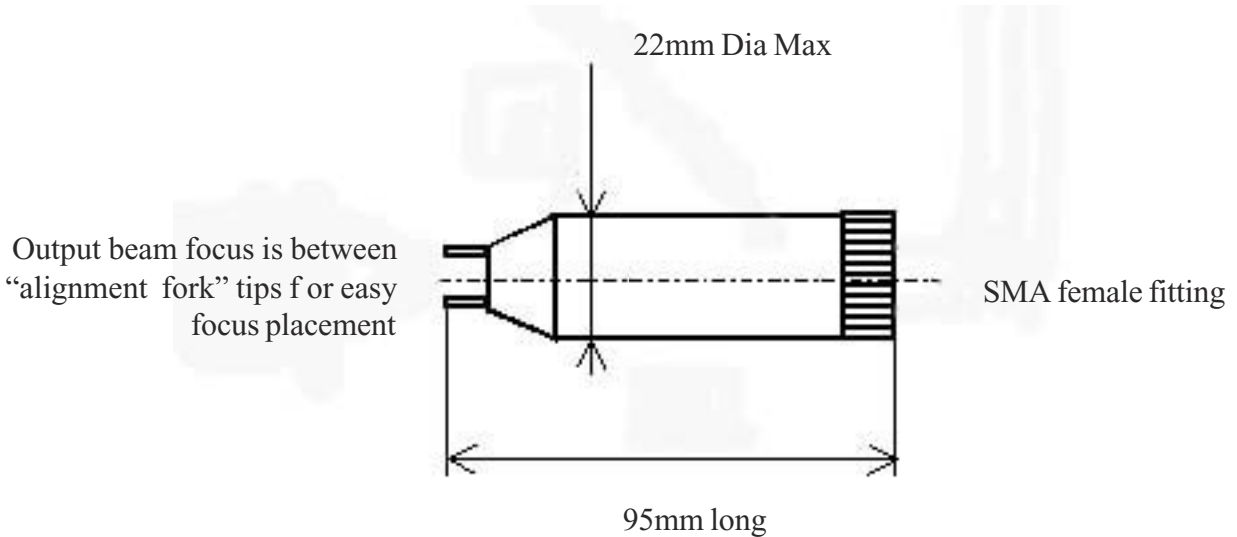
Available in customer specified lengths

specifications and available fiber sizes subject to change

HighTech Photonics Inc
jim@jtingram.com
800 335 5582 Fax 888 335 5587

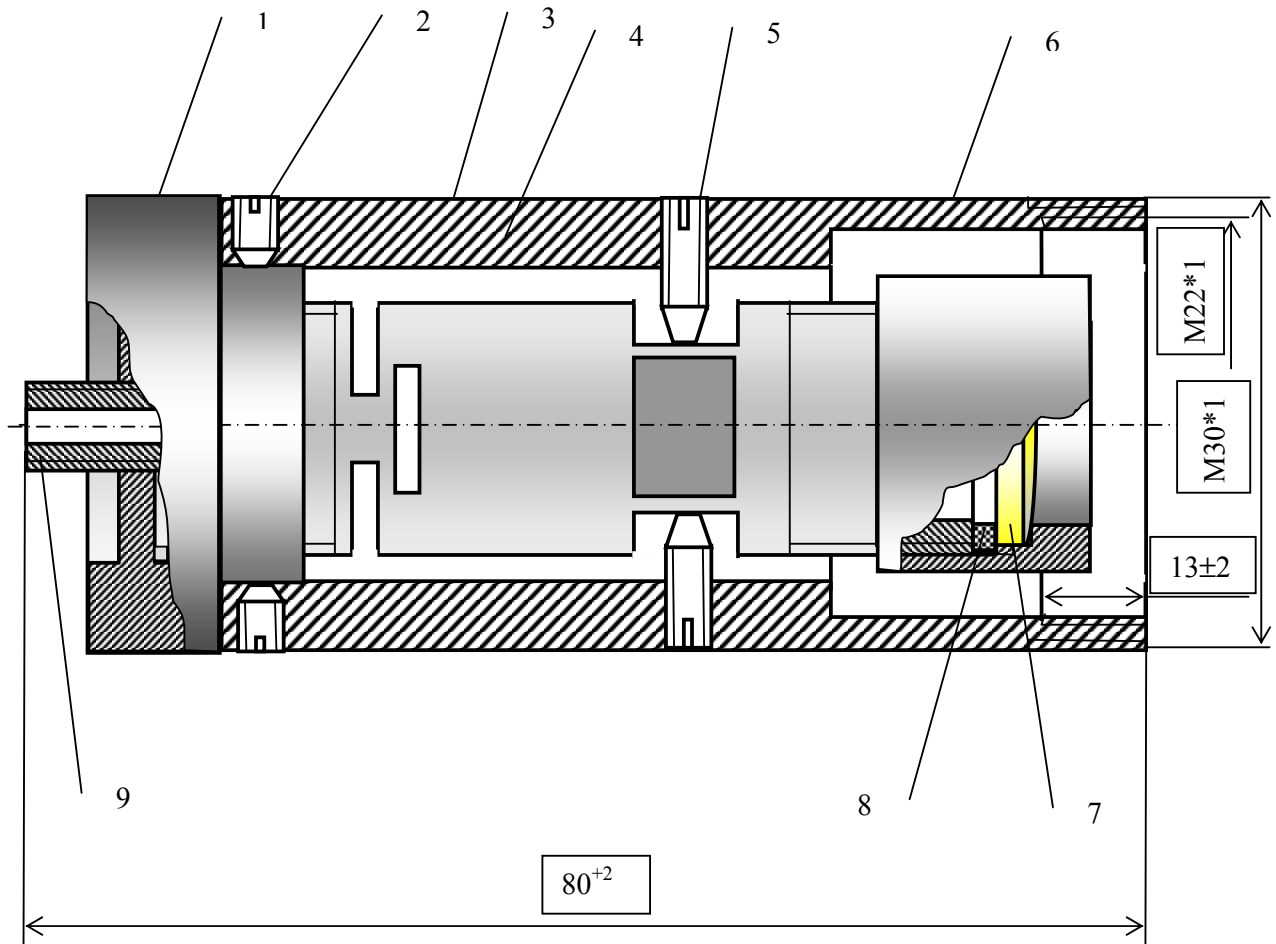
OFFC01

Output Fiber Focusing Coupler



The OFFC01 Output Fiber Focusing Coupler is design to mate with the LPPIR fiber cables and the IFFC01 input coupler to complete a laser power delivery system. A flowing gas system is available to keep material from damaging the output lens.

Input Fiber Focusing Coupler IFFC01



- | | |
|---|---|
| <p>1-Lid
2-Fixing screw
3-Positioner
4-Body</p> | <p>5-Adjusting screw (4 screws for X-Y adjustment)
6-Screwnut
7-Zn-Se lens, Ø14, F50, AR at 10.6cm
8-Washer
9-SMA-adaptor</p> |
|---|---|

The IFFC01 Input Fiber Focusing Coupler is design to couple CO2 laser light (10.6um) into LPPIR fiber cables with the standard “free end” SMA connector and the “SMART” treatment of the fiber ends. It enables the precise positioning of the fiber cable, laser output, and the focusing lens to ensure proper coupling.

